

securityProbe5E (SEC5ES/V/A)

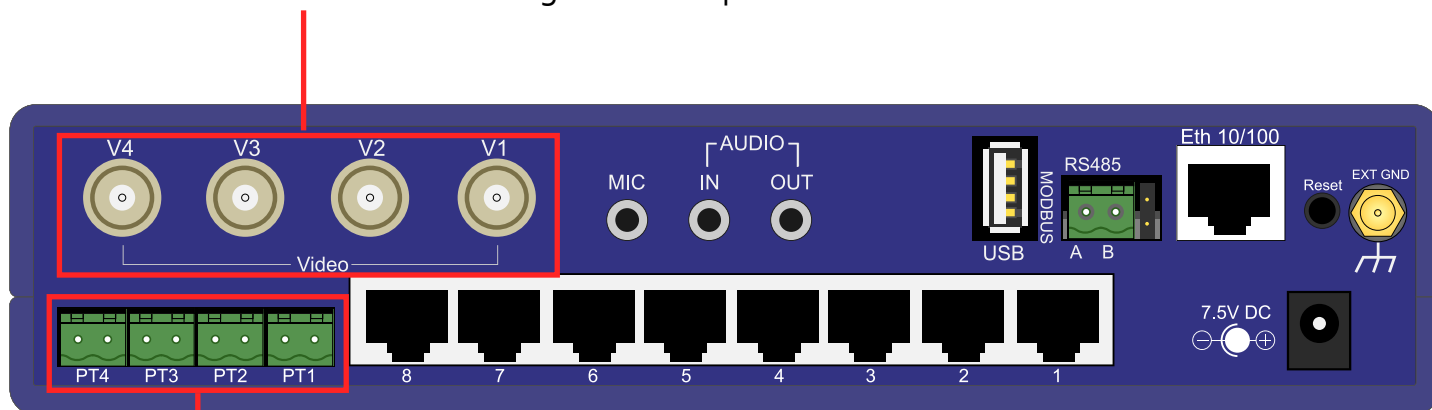


Advanced monitoring system with video capabilities

securityProbe5E comes in several versions, the 5ES, which has no video function, 5ESV, which has 4x USB digital video inputs, and the 5ESVA which has 4x BNC analog video inputs. Packages are available with cameras included, or connect with existing analog cameras in your facility.

Optional 3G or 4G internal modems can be installed to send SMS alerts directly from the securityProbe device, or for communicating in sites with no wired network available.

BNC video inputs ports found on the 5ESVA device On the 5ESV these are substituted for USB digital video inputs

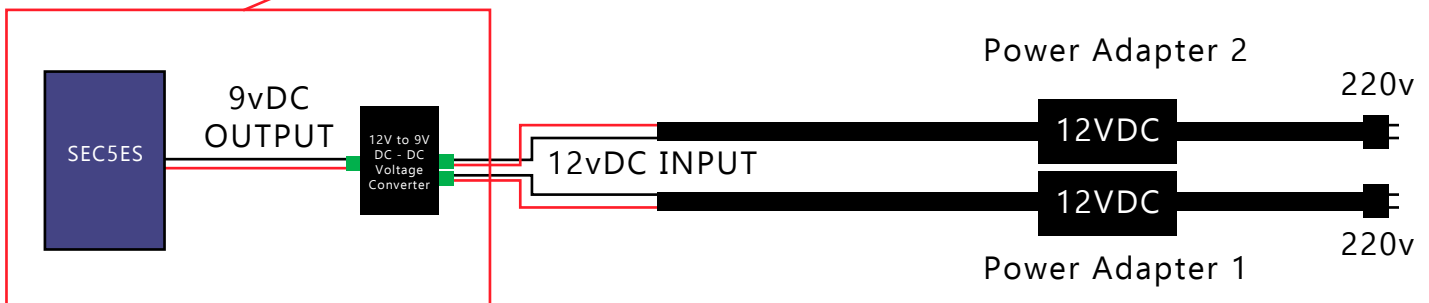
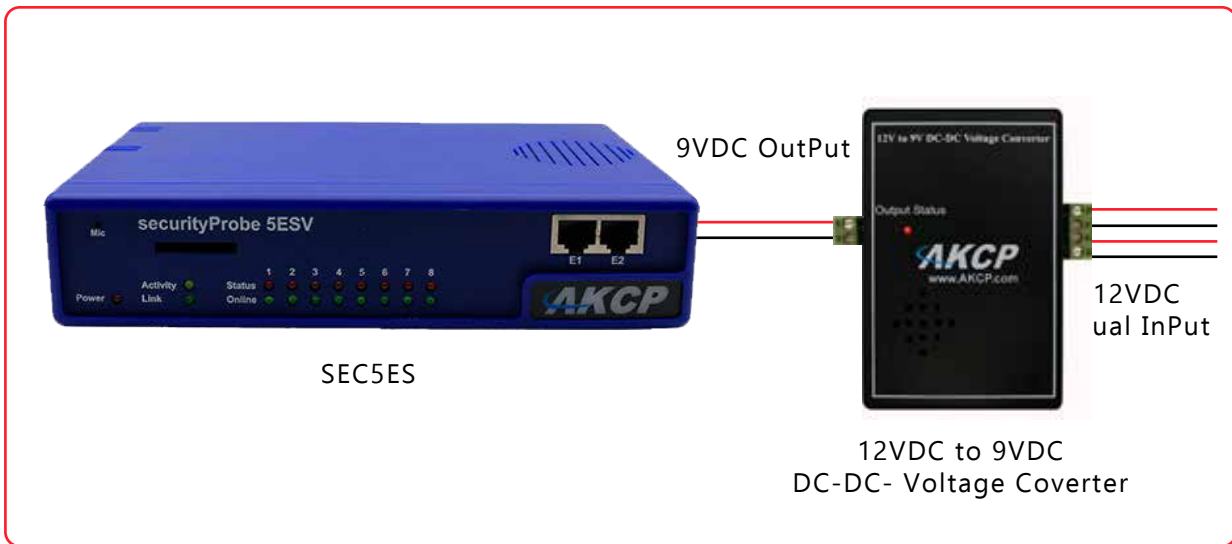


PTZ controller ports, connect with Pelco.D standard PTZ cameras to control the Pan, Tilt and Zoom from the securityProbe web interface

SEC5ES/V/A - Dual Power Input

SEC5ES can be powered via dual AC or DC inputs, providing redundancy for powering the device. The 40-60VDC external power supplies feature dual DC inputs with a single 9VDC output for powering the SEC5ES.

Ideal for telecoms applications where DC power comes straight into the cabinets. Or in a data center with dual PDU's. Utilize 2x 12VDC power adapters, one on each AC power source, connect them to the DCW075 with the output to the DC jack on the SEC5ES.

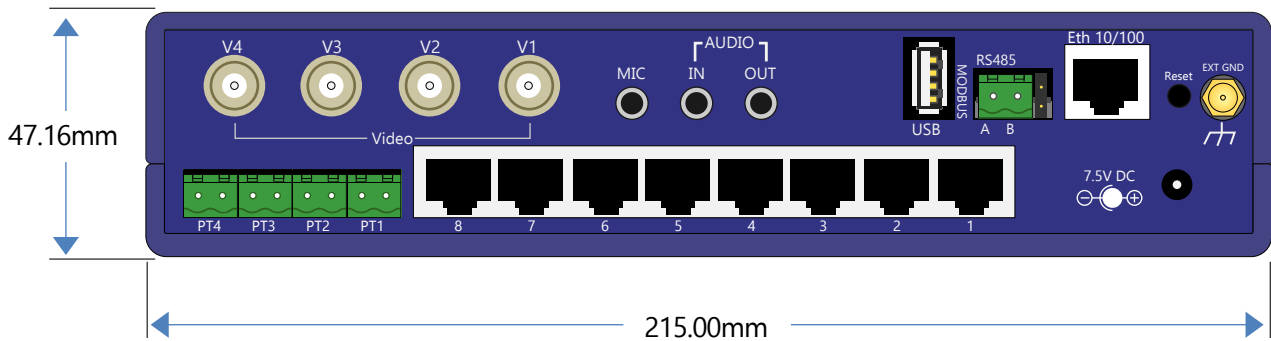
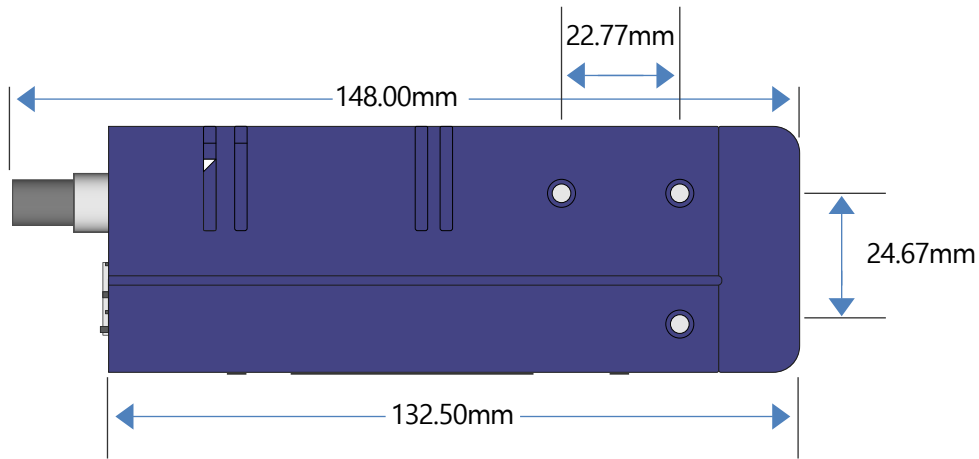
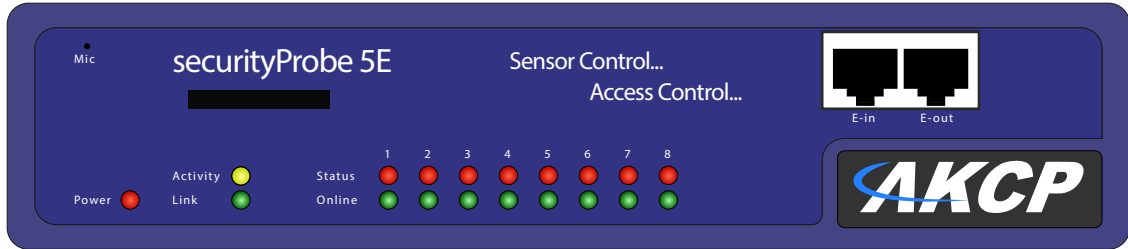


SEC5ES/V/A - Technical Specification

Dimension	Size 8.5 x 5.43 x 1.80 Weight 1 Kg
Expansion Port	2x RJ-45 Expansion Ports 115.2K BPS Data Transfer Rate Simultaneous functionality between Expansion Ports & RS485 port threshold status
Mounting	1U Rack Mount Standard Rack mount brackets included Compatible with AKCP's DIN and rack mount trays
Power	External 7.0 – 9 VDC 3A Power Adapter Input Voltage and Current ratings : 100V~240V - 1A Optional - DCW : external +/- 40~60V DC input
Power Consumption	Typical 5.025 Watt, 0.67A
Status Indication	LED indication for power LED for network connectivity LED for sensor online and threshold status
Components	Manufactured using highly integrated, low power surface mount technology to ensure long term reliability. CPU: AKCP i.MX25 Processor 128 MB On-Board NAND Flash HC SD Memory Slot on-board (up to 16GB)
Operating Environment	Temp : Min. -35° C – Max. +55° C Humidity : Min. 20% – Max. 80% (Non-Condensing)
MTBF	400,000 Hours
Connectivity	Ethernet 10/100 Mbps Optional Internal 3G/4G modem
Inputs	8x RJ-45 Sensor Ports 2x RJ-45 Expansion Ports 1x USB 2.0 Modem Port Audio In (Analog) 2.5 jack Internal Microphone RS485, 2 Pin Terminal box, (used for Modbus)
Outputs	Configurable output signals (0VDC/5VDC) on any of the 8 RJ-45 sensor ports Internal Speaker Out Ext. Speaker Out, 2.5" jack (Analog) Mic Out, 2.5 jack (Analog) (For modem application)
Expansion Boards	8 Port Intelligent Sensors Module (E-Sensor8) 16 Port Dry Contacts Module (E-opto16) (Maximum of 500 Sensors) Cabinet Control Unit (DCU) (Up to 25 Per Chain) Extendable up to 1,000 Feet or 300 meters Expansion modules are daisy chainable
Video - Analog	4x Analog Video BNC input, powered externally * resolution 320x240 or 640x480 * type : NTSC or PAL 4x PTDC controller ports
Video- HD Digital	4x AKCP High Definition Digital camera USB input resolution 320x240 or 640x480 4x PTDC controller ports

SEC5E - Technical Drawing

Technical drawing illustrates SEC5ESVA, dimensions of 5ES and 5ESV are the same



securityProbe with 1U rackmount brackets

