

Door Control Unit (DCU)



Control access and synchronize with video

With the DCU control access to 1 main door. RFID card readers, PIN card, Fingerprints or Dual Authentication can be configured by connecting suitable hardware. A sensor port is compatible with all AKCP sensors, including RFID swing handle locks.

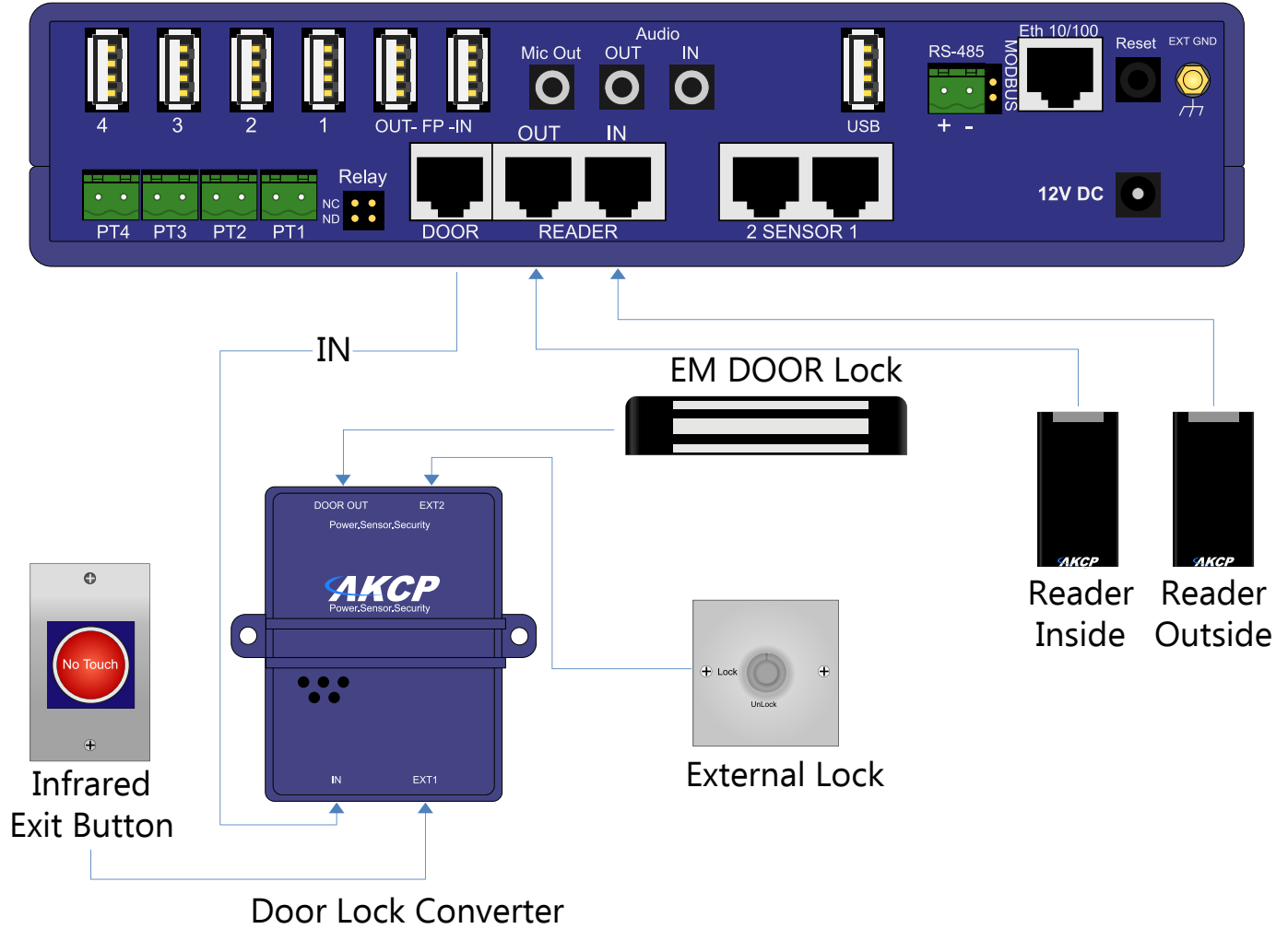
Combine RFID swing handle locks with fingerprint readers for biometric cabinet access control.

DCU integrates with AKCPro Server Central Monitoring Software. This gives remote monitoring and control of doors and administration of users and access privileges. Access events are synchronized with IP video camera feeds for event based recording.



Door Control Unit

DCU - Wiring Diagram



DCU - Door Control Unit Accessories

Door Control Unit Accessories

DCU is compatible with a wide range of access control accessories. Purchase the door controller to go with existing standard Weigand RFID card readers and keypads, or 12VDC locks.

AKCP can supply a complete door package including locks, readers and accessories. Choose from a range of door locks, fail safe or fail secure, bolt type or electromagnetic locks.



Door Locks



Access Readers



Manual Key



RFID Swing Handle

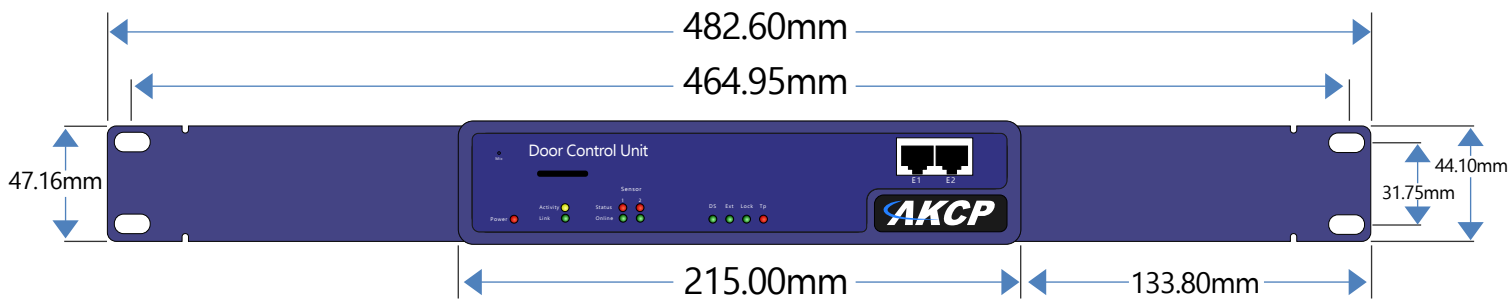
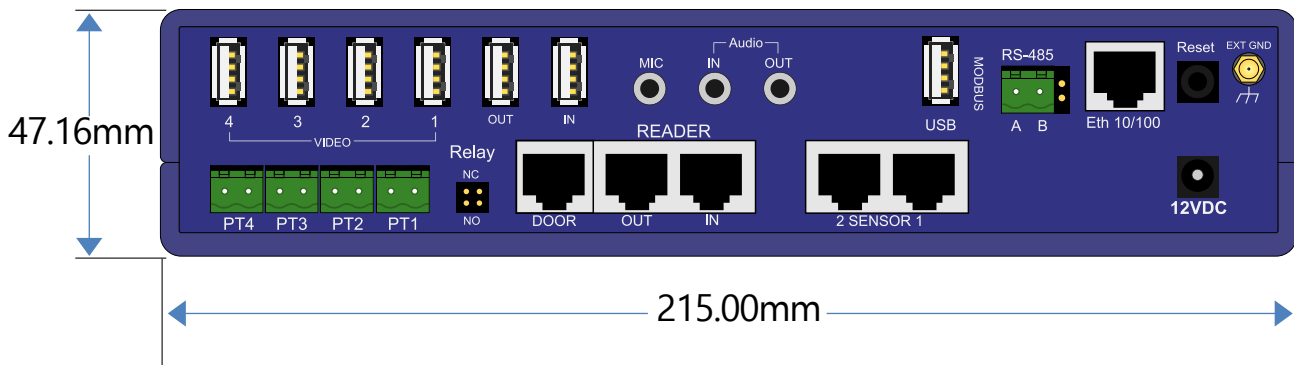
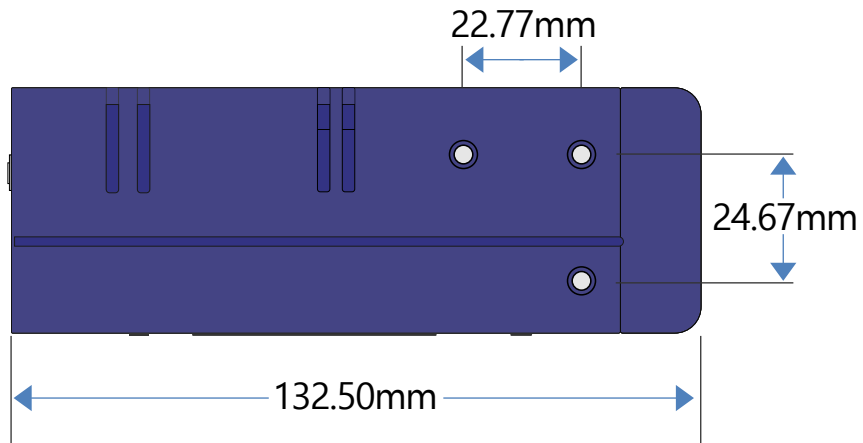


Exit Buttons

DCU - Technical Specification

Dimension	Size 8.5 x 5.43 x 1.80 Weight 1 Kg
Expansion Port	2x RJ-45 Expansion Ports 115.2K BPS Data Transfer Rate Simultaneous functionality between Expansion Ports & RS485 port threshold status
Mounting	1U Rack Mount Standard Rack mount brackets included Compatible with AKCP's DIN and rack mount trays
Power	External 12 VDC 3A Power Adapter Input Voltage and Current ratings : 100V~240V - 1A Typical 5.025 Watt, 0.67A
Status Indication	LED indication for power LED for network connectivity LED for sensor online and threshold status LED for Door Status
Components	Manufactured using highly integrated, low power surface mount technology to ensure long term reliability. CPU: AKCP i.MX25 Processor 128 MB On-Board NAND Flash HC SD Memory Slot on-board (up to 16GB)
Operating Environment	Temp : Min. -35° C – Max. +55° C Humidity : Min. 20% – Max. 80% (Non-Condensing)
MTBF	400,000 Hours
Connectivity	Ethernet 10/100 Mbps Optional Internal 3G/4G modem
Inputs	2x RJ-45 Sensor Ports 2x RJ-45 Expansion Ports 1x USB 2.0 Modem Port 4x Video Ports 2x Fingerprint Ports (when using Fingerprint Readers it is recommended that only x2 Video Ports are enabled.) 2x Wiegand 26 Ports 4x PTZ Two Pin Controllers Internal Microphone Audio In (Analog) 2.5 jack RS485, 2 Pin Terminal box, (used for Modbus)
Outputs	Configurable output signals (0VDC/5VDC) on any of the 2 RJ-45 sensor ports Internal Speaker Out Ext. Speaker Out, 2.5" jack (Analog) Mic Out, 2.5 jack (Analog) (For modem application) Door control port
Expansion Boards	8 Port Intelligent Sensors Module (E-Sensor8) 16 Port Dry Contacts Module (E-opto16) (Maximum of 500 Sensors) Cabinet Control Unit (DCU) (Up to 25 Per Chain) Extendable up to 1,000 Feet or 300 meters Expansion modules are daisy chainable 4x AKCP High Definition Digital camera USB input
Video- HD Digital	* resolution 320x240 or 640x480 4x PTDC controller ports
Important Note	Requires the AKCPro Server for Access Control and Sensor Port configurations

DCU - Technical Drawing



Door Control Unit